

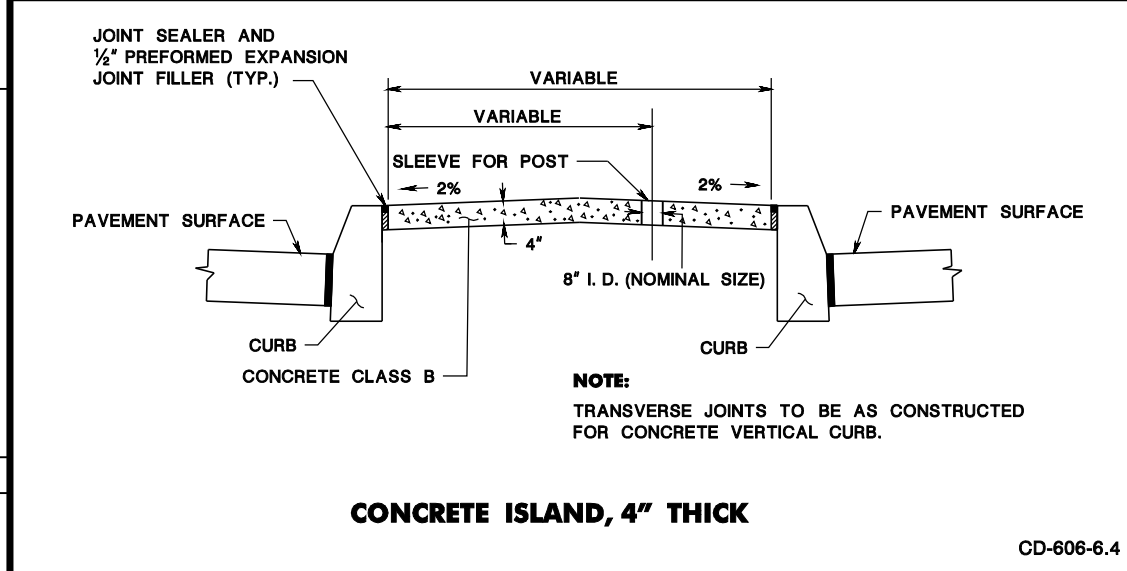
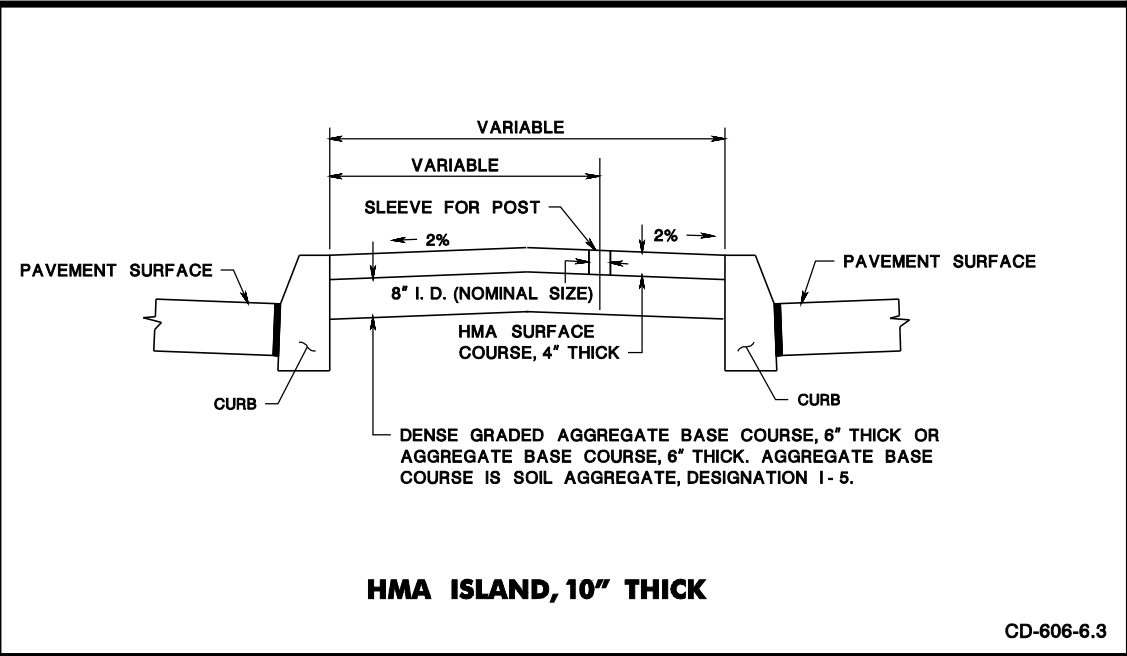
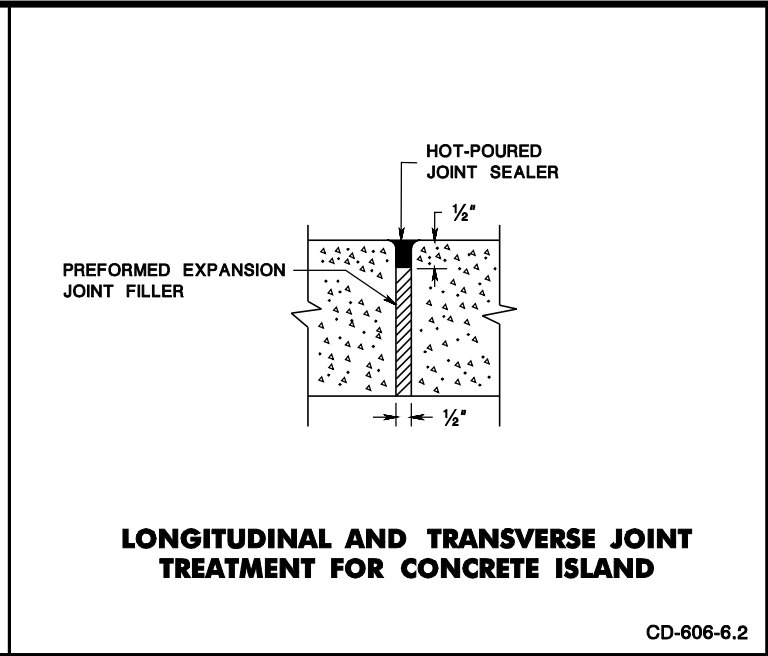
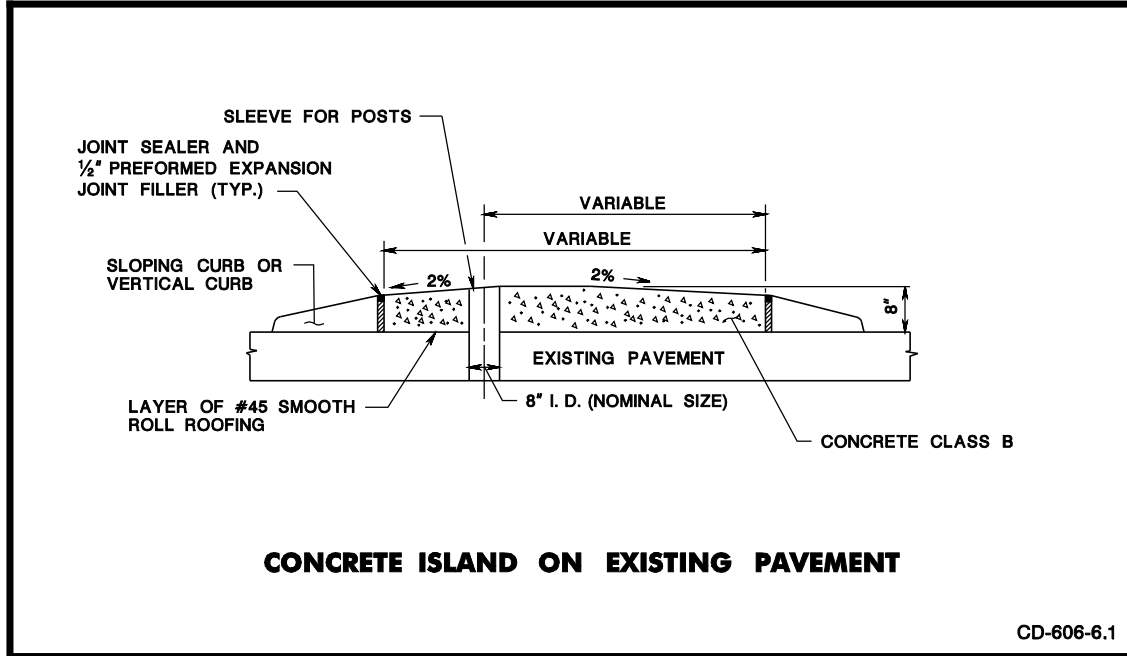
pen table= \\NJDOT\RTW\Projects\NJDOT\ES&G\Project\TBA\Roadway\Details_13x17.tbl

scale=63.073306:1.000000

date=17-OCT-2019 11:09

ID=000754207

BDC:RD-02 - CD-606-6.1, 6.3, & 6.4 REVISED
BDC:RD-01-ORIGINAL SHEET



CONCRETE AND HMA ISLAND

N.T.S.

HMA = HOT MIX ASPHALT

CD-606-6

NEW JERSEY DEPARTMENT OF TRANSPORTATION

CONSTRUCTION DETAILS

file=