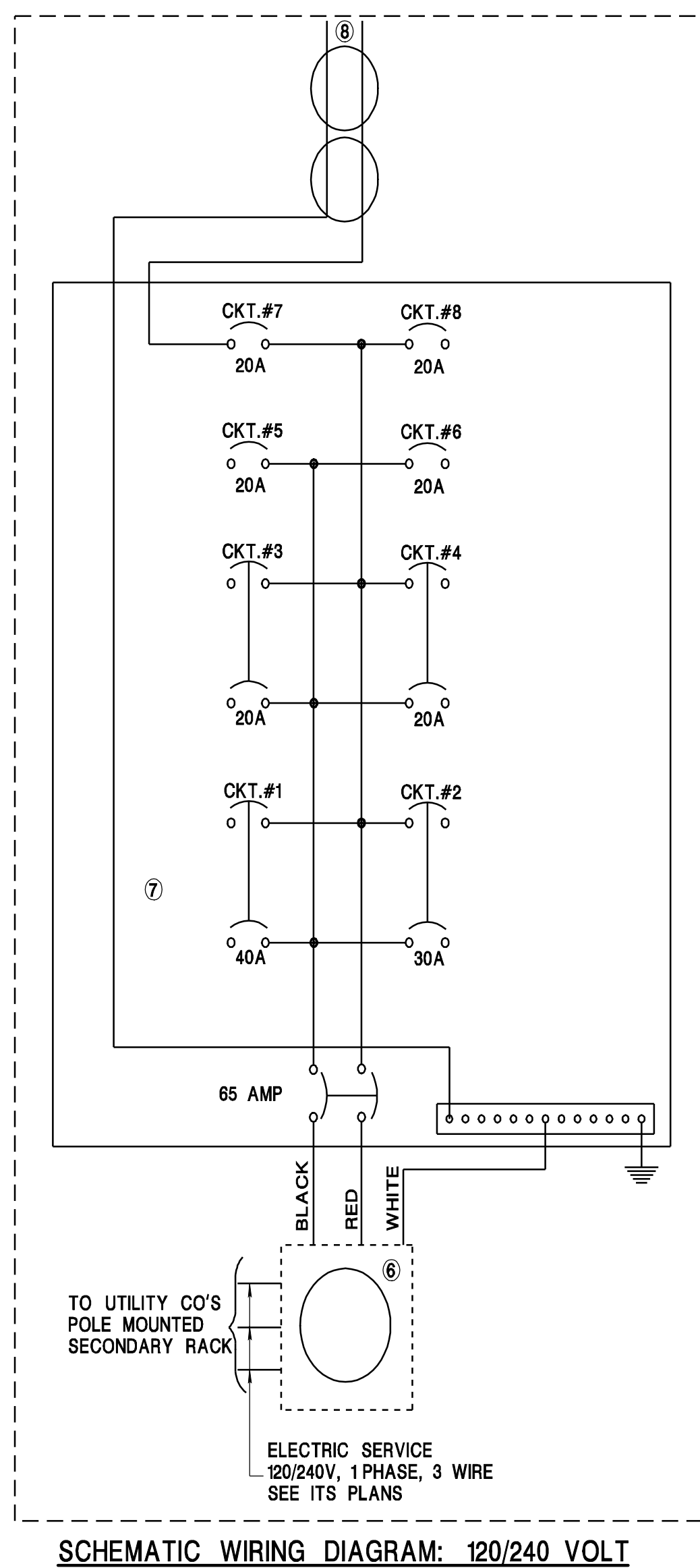
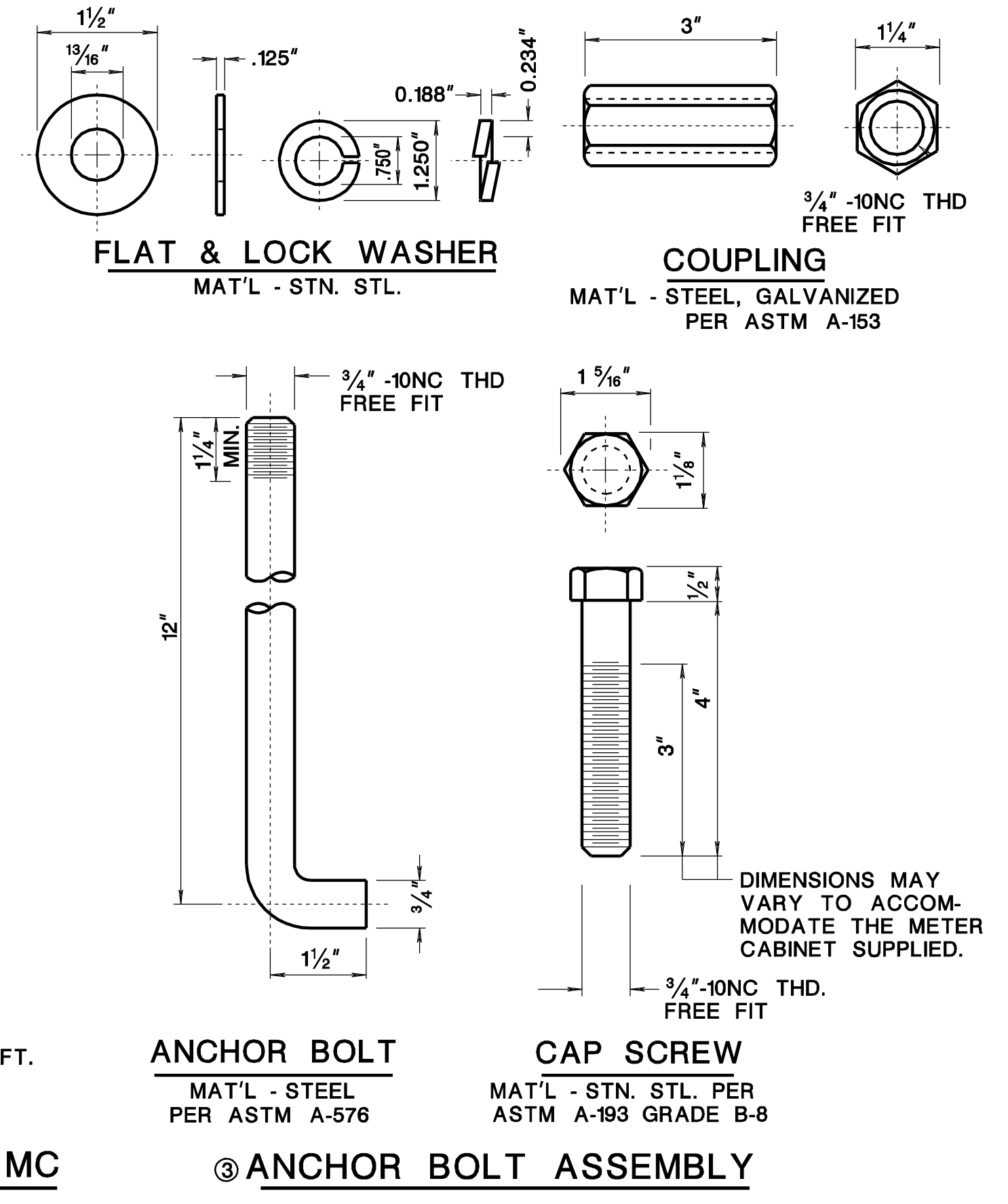
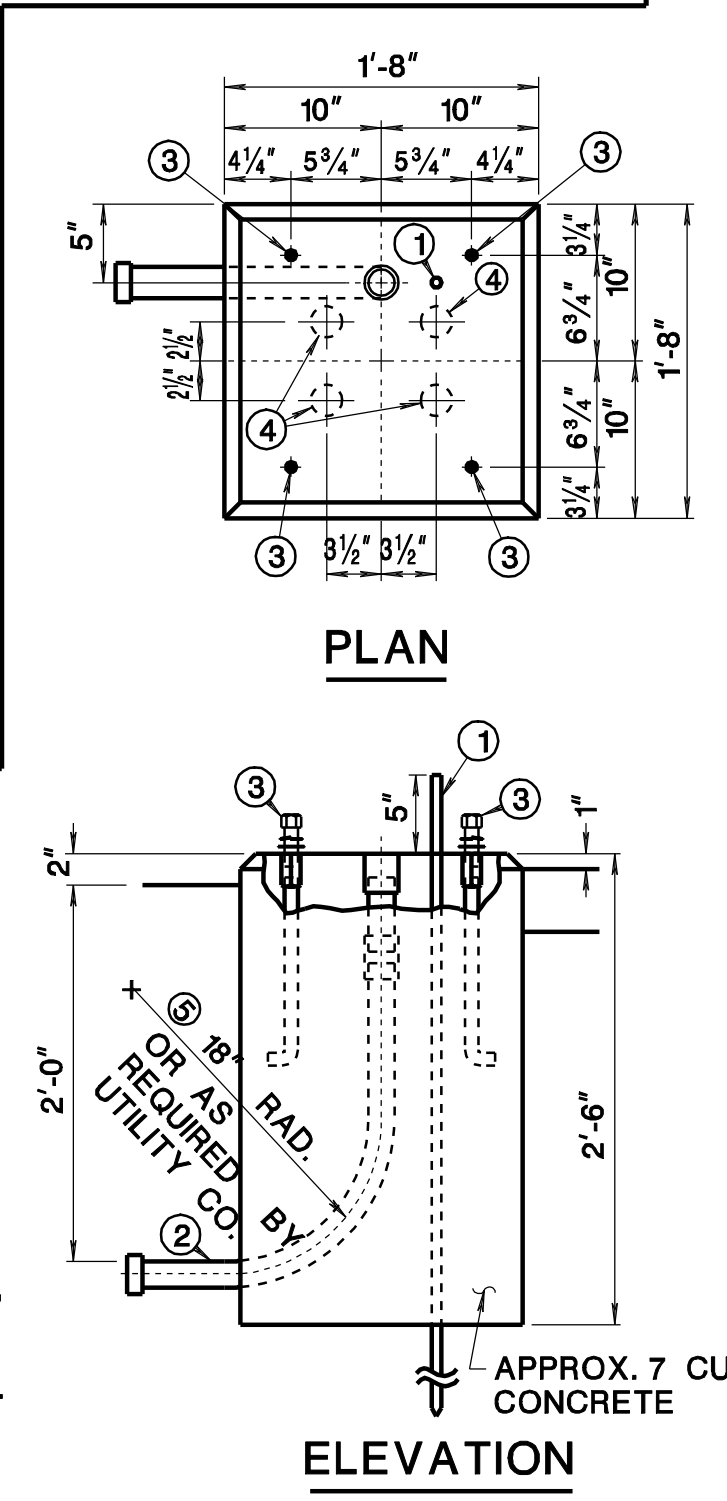
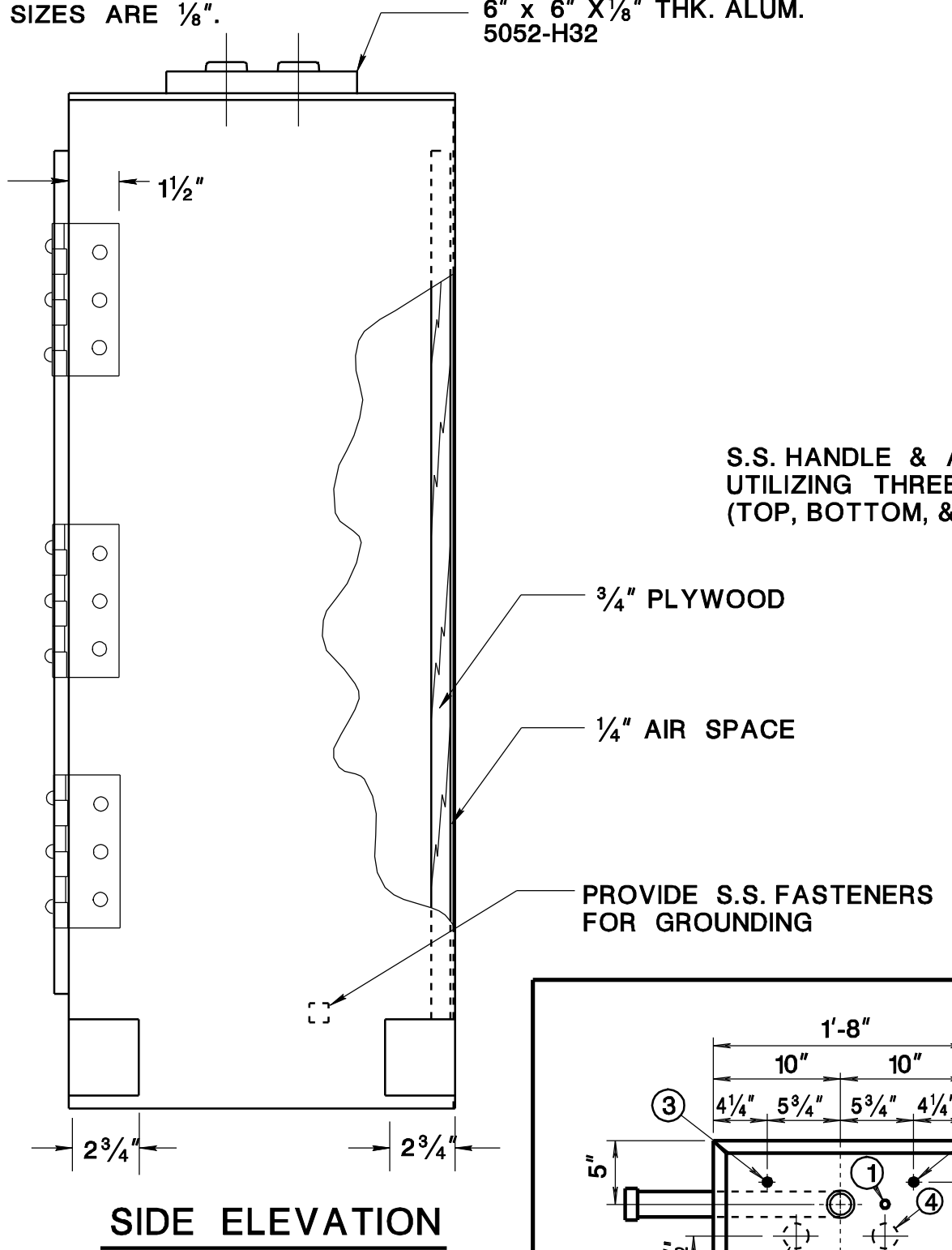
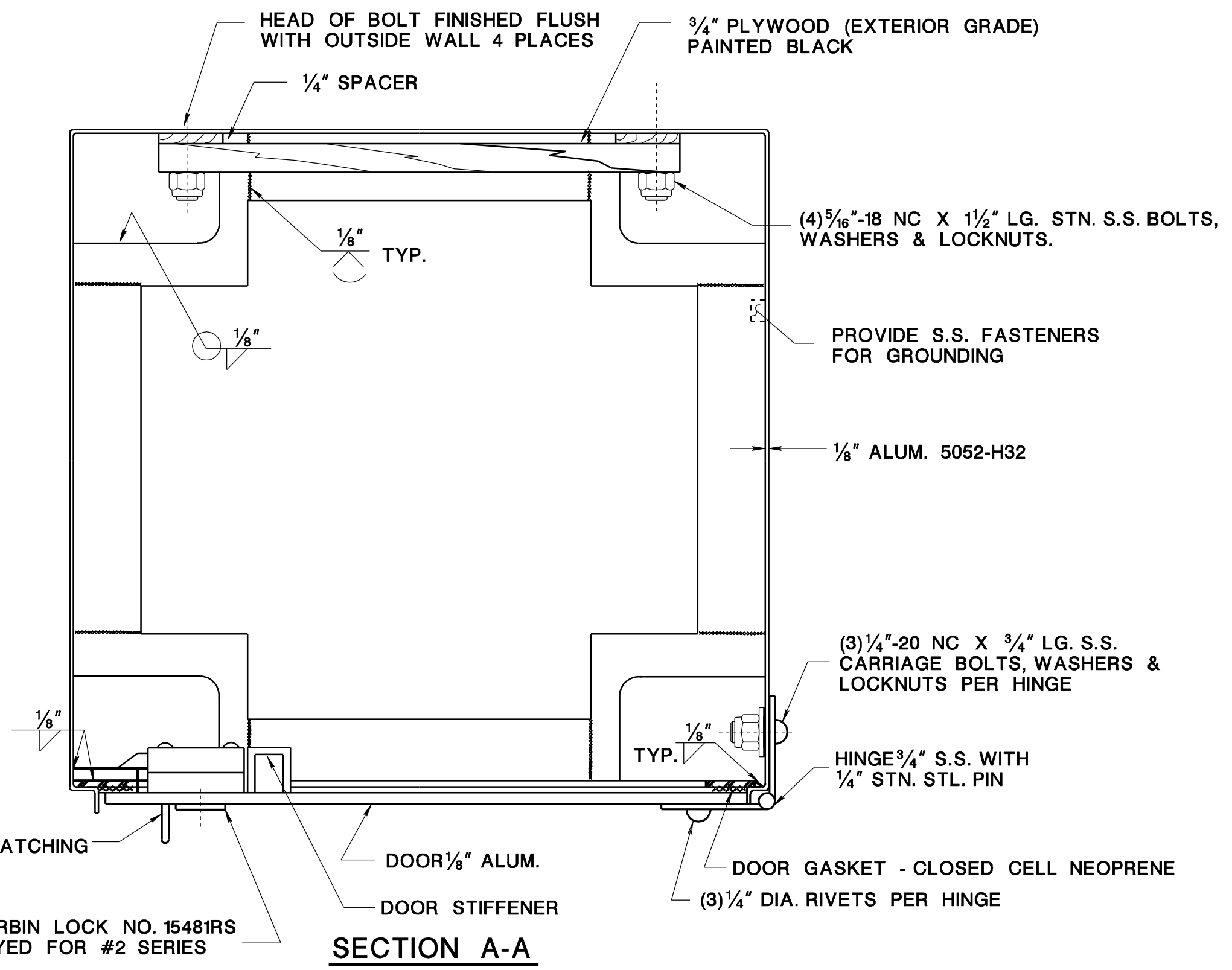


- NOTES**
- CABINET CONSTRUCTED OF FORMED ALUMINUM ALLOY 5052-H32 0.125 INCH THICK WELDED WHERE SHOWN.
  - CABINET IS NOT PAINTED.
  - ALL BOLTS TO BE VANDAL PROOF TYPE.
  - ANY VARIATIONS TO THE DIMENSIONS MUST BE APPROVED IN WRITING BY THE N.J.D.O.T. ENGINEER BEFORE FABRICATION.
  - NO CHANGES IN ANCHORAGE DIMENSIONS ARE PERMITTED.
  - IF METER IS NOT REQUIRED, INSTALL 1/4" I.D. SEALTITE FLEXIBLE CONDUIT AND 1/4" I.D. NIPPLE FROM REDUCER COUPLING TO MAIN BREAKER PANEL.
  - THE BASE OF THE CABINET TO BE 1/2" MINIMUM THICKNESS.
  - AS AN ALTERNATE A STAINLESS STEEL PIANO TYPE HINGE MAY BE UTILIZED.
  - IF REQUIRED BY UTILITY COMPANY, PROVIDE SERVICE DISCONNECT SWITCH WITH 240 VOLT, 100 A RATED, S/N, NEMA 3R ENCLOSURE AND PADLOCK PROVISIONS. (LOCK TO BE SUPPLIED BY UTILITY COMPANY). SUBMIT WORKING DRAWINGS SHOWING SERVICE DISCONNECT SWITCH INSTALLATION FOR REVIEW AND APPROVAL.
  - PROVIDE SCALED DRAWING TO VERIFY THAT PROPOSED COMPONENTS WILL FIT IN THE CABINET.
  - PROVIDE GROUNDING AND BONDING IN ACCORDANCE WITH NEC REQUIREMENTS.
  - SECURE CABINET DOOR WITH A CORBIN LOCK NO. 15481RS KEYED FOR #2 SERIES. PROVIDE TWO (2) COPIES OF THE KEY TO NJDOT AND ONE (1) COPY TO THE ELECTRIC UTILITY.
  - ALL WELDS SIZES ARE 1/8".



- ITEM**
- 5/8" DIA. X 12 FT. LONG GROUND ROD.
  - RIGID METALLIC SERVICE CONDUIT. (SEE GENERAL CONSTRUCTION PLANS FOR DIRECTION AND SIZE.)
  - ANCHOR BOLT DETAIL AS SHOWN.
  - LOCATIONS FOR DISTRIBUTION CONDUITS - FOR NUMBER, SIZE AND POSITION SEE GENERAL PLANS.
  - RADIUS - SUBJECT TO APPROVAL OF UTILITY COMPANY.
- NOTE:**  
ALL CONCRETE SHALL BE CLASS "B".

- LEGEND**
- METER SOCKET-INSTALLED BY CONTRACTOR-PROVIDED BY UTILITY COMPANY ON REQUEST. (IN JCP&L CO. AREA METER SOCKET IS TO BE INSTALLED AND FURNISHED BY CONTRACTOR).
  - LOAD CENTER PANEL WITH ENCLOSURE- PROVIDE 125 AMP MAIN-RATED BUS, CONFORMING TO FEDERAL SPECIFICATION W-P-115C, TYPE 1, CLASS 1. PROVIDE CIRCUIT BREAKERS THAT ARE UL LISTED, COMPLY WITH NEMA STANDARDS, AND TO FEDERAL SPECIFICATION W-C-375B FOR CLASS 10A OR CLASS 10B. PROVIDE ONE (1) MAIN BREAKER 2-POLE 65 AMP; ONE (1) 2-POLE 40 AMP, ONE (1) 2-POLE 30 AMP TWO (2) 2-POLE 20 AMP, AND FOUR (4) 1-POLE 20 AMP BREAKERS.
  - WEATHERPROOF, 20AMP GFCI DUPLEX RECEPTACLE GROUND FAULT, IN MALLEABLE IRON BOX.

ITS-704-23

NEW JERSEY DEPARTMENT OF TRANSPORTATION

**ITS DETAILS**

METER CABINET ITS & FOUNDATION  
ITS TYPE MC

